



# PURESWIM®

THE HEALTHY WAY TO SWIM

## PURESWIM® CARTRIDGE FILTER

Enhance your pool water clarity



Designed for stress free maintenance and top performance.

The PURESWIM® cartridge filter enhances your pool water clarity and suits both pool and spa applications.

## Rugged Construction

Constructed from high impact polypropylene and designed for easy maintenance, PURESWIM® Cartridge filters provide years of trouble free service.



- Air relief valve.
- Easy to read pressure gauge.
- Hand operated lid lock ring, allowing simple cartridge removal and replacement.
- Solid one piece moulded polymer tank. Low profile for easy cartridge removal and inconspicuous enclosure.
- Tough heavy duty polyester filter fabric with wide and deep pleats for better filter efficiency, easy cleaning and longer cartridge life.
- 50mm quick connect barrel unions for UPVC pipe.

## Pleated Filter Cartridge

The PURESWIM® Filter Cartridges are fabricated from pleated reusable polyester fabric. The media has been pleated to provide 12.5 to 16.7 square metres of surface area in order to maximise the cartridge dirt holding capacity and extend the time between cleaning.

**Material:** Polyester Fabric material, Vinyl Plastisol end caps and a Polypropylene core

**Operating Temperature:** 4°C to 50°C **Maximum Pressure Drop:** 20 kPa



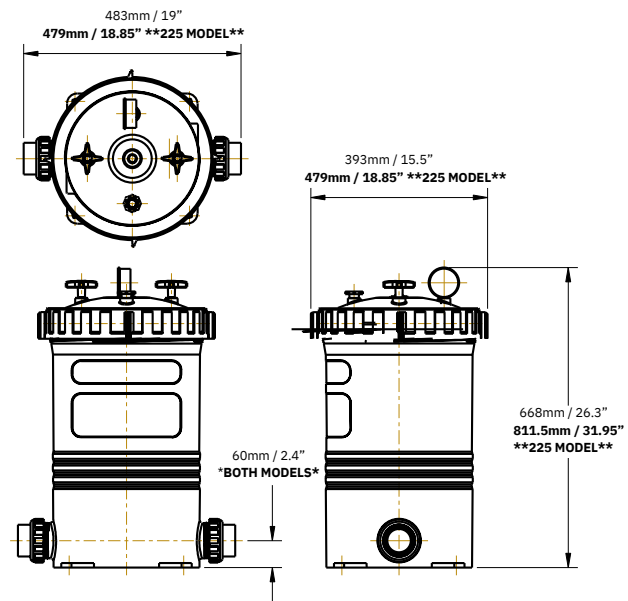
## Simple Maintenance

The filter cartridge is easily cleaned by hosing the pleats with a standard garden hose.

## Technical Specification

Model	Filter Area		Max Flow Rate	Working Pressure		Max Pool Size
	(m <sup>2</sup> )	(ft <sup>2</sup> )		lpm	kPa	
PCF6180	16.7	180	510	250	50	183,600
PCF6225	20.9	225	510	250	50	183,600

## DIMENSIONS



## Warranty

Filter (Tank)	10 Years
Other Components Labour	1 Year

Please refer to PURESWIM® warranty terms and conditions

**QLD**  
2 HAYTER STREET  
CURRUMBIN WATERS QLD 4223  
(07) 5534 3136

**VICTORIA**  
2/16 MONTEREY ROAD  
DANDENONG SOUTH VIC 3175  
(03) 9792 0088

[pureswim.com.au](http://pureswim.com.au)

